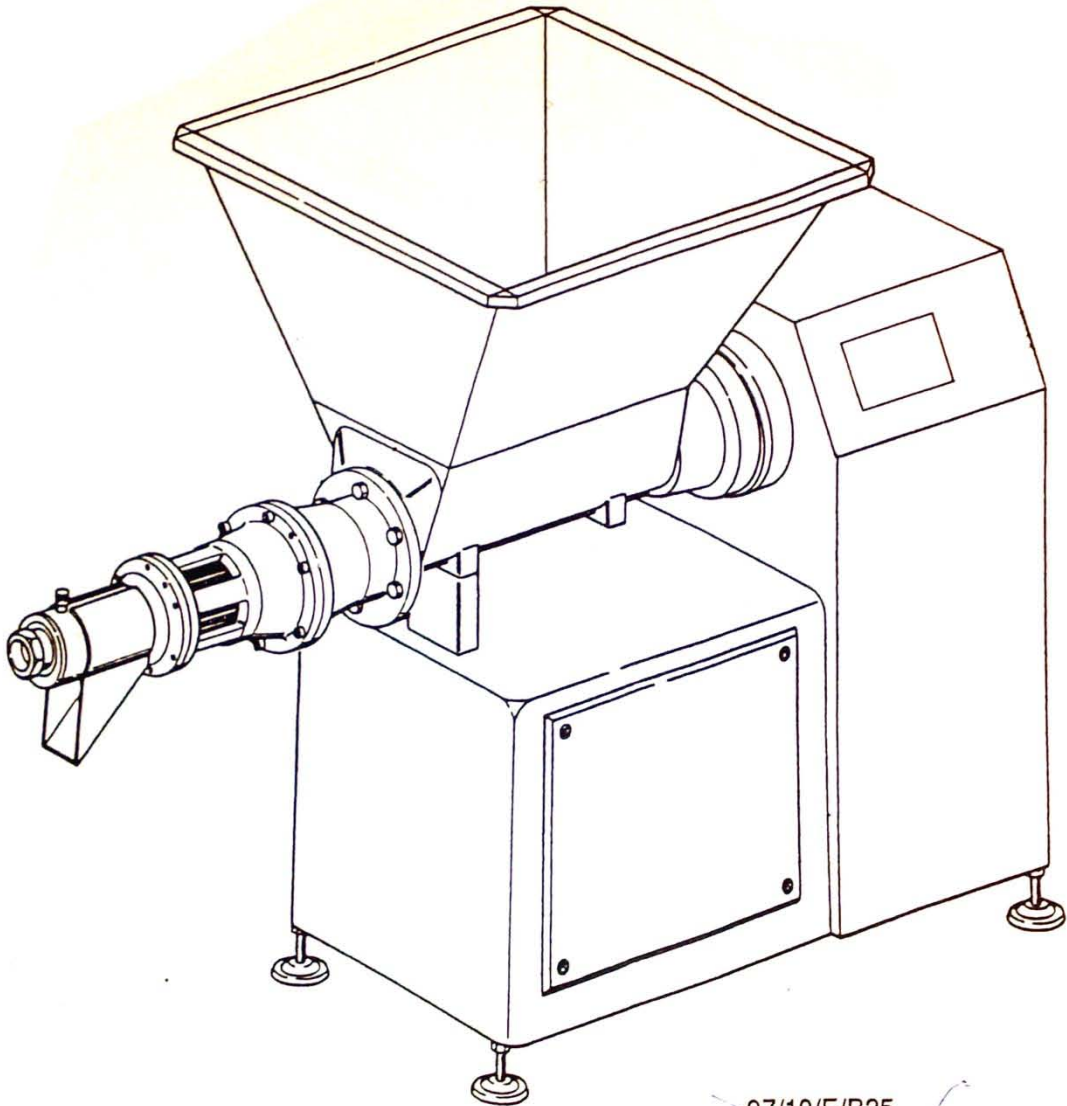
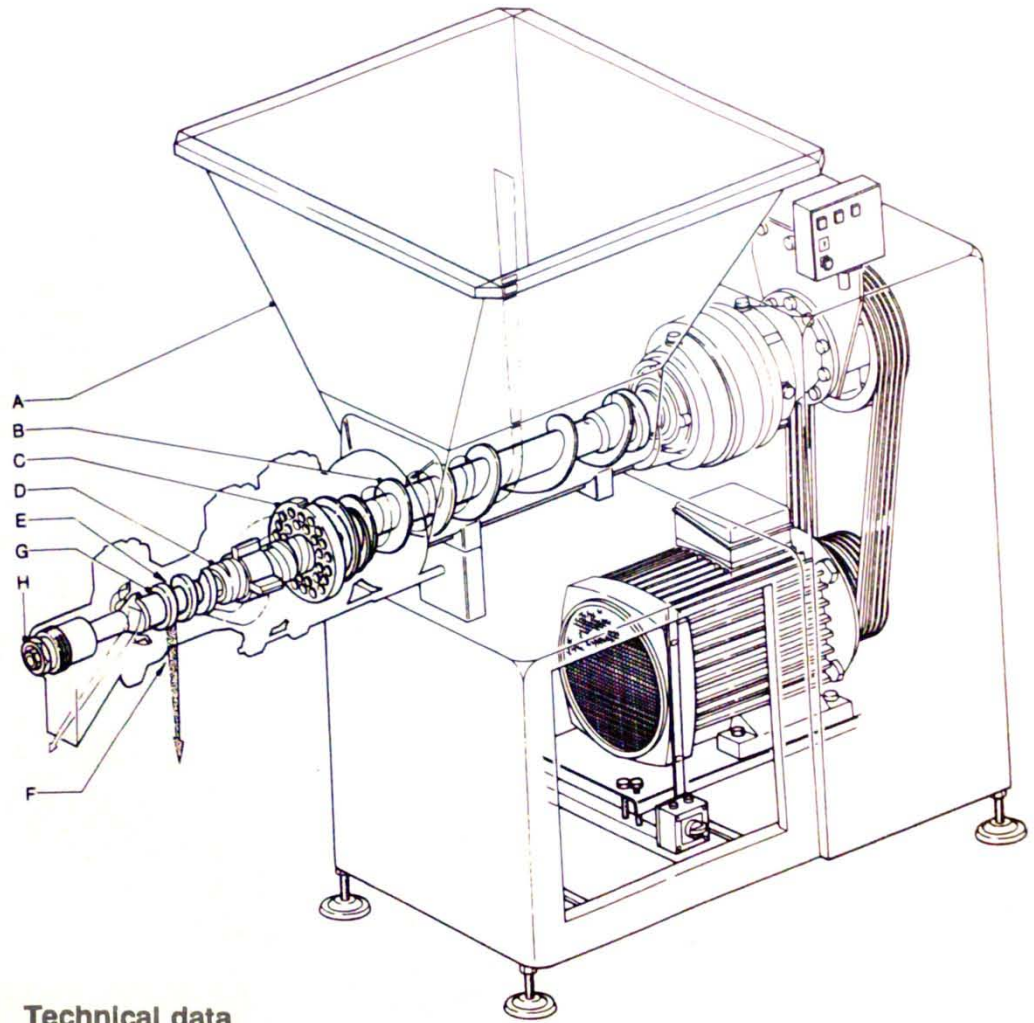


MRS-2500



97/10/E/B25



1.3. Technical data

The technical data shown below are for the standard machine. Deviations are possible in certain countries.

Weight	:	1225 kg
Weight of transport frame	:	100 kg
Power	:	30 kW/ 40 HP
Voltage	:	220 - 380 V
Motor current	:	100/60 A
Start fuse	:	125/63 A
Start fuse direct	:	125/80 A
Using cables with Vult or NWPK specifications	:	35/16 mm ²
Frequency	:	50 Hz
Room temperature for machine	:	+12 °C
Product temperature	:	+2 °C - +5 °C